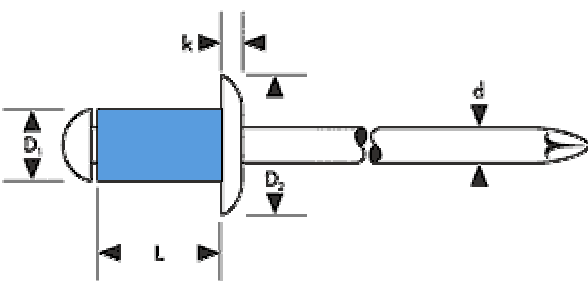


## Rebites de Repuxo Aço Inox 304

	<p><b>DIN 7337</b> <b>Aço Inox/Aba Normal</b></p> <p><b>D<sub>1</sub></b> = Ø do Corpo do Rebite  <b>D<sub>2</sub></b> = Ø da Cabeça do Rebite  <b>k</b> = Altura da Cabeça  <b>d</b> = Ø do Prego  <b>L</b> = Comprimento do Rebite</p> <p>Dimensões em milímetros</p>
---	---

Referência: New-Fix	(D) Diâmetro	(L) Comprimento mm	(H) Ø Aba mm	(F) Broca a ser Usada (mm)	(G) Alcance da Rebitagem (mm)	Resistência a Tração (kgf)	Resistência ao Cisalhamento (kgf)
<b>NI-306</b> <b>NI-308</b> <b>NI-310</b> <b>NI-312</b> <b>NI-316</b>	Ø 1/8" 3,2mm	6,0 8,0 10,0 12,0 16,0	6,0	3,3	3,0 5,0 7,0 9,0 13,0	180	230
<b>NI-406</b> <b>NI-408</b> <b>NI-410</b> <b>NI-412</b> <b>NI-416</b>	Ø 5/32" 4,0mm	6,0 8,0 10,0 12,0 16,0	7,5	4,1	2,5 4,0 6,0 8,0 12,0	289	365
<b>NI-508</b> <b>NI-510</b> <b>NI-512</b> <b>NI-514</b> <b>NI-516</b> <b>NI-519</b> <b>NI-522</b> <b>NI-525</b> <b>NI-530</b>	Ø 3/16" 4,8mm	8,0 10,0 12,0 14,0 16,0 19,0 22,0 25,0 30,0	9,0	5,0	2,0 5,0 7,5 9,5 11,0 13,0 17,0 20,0 25,0	240	300