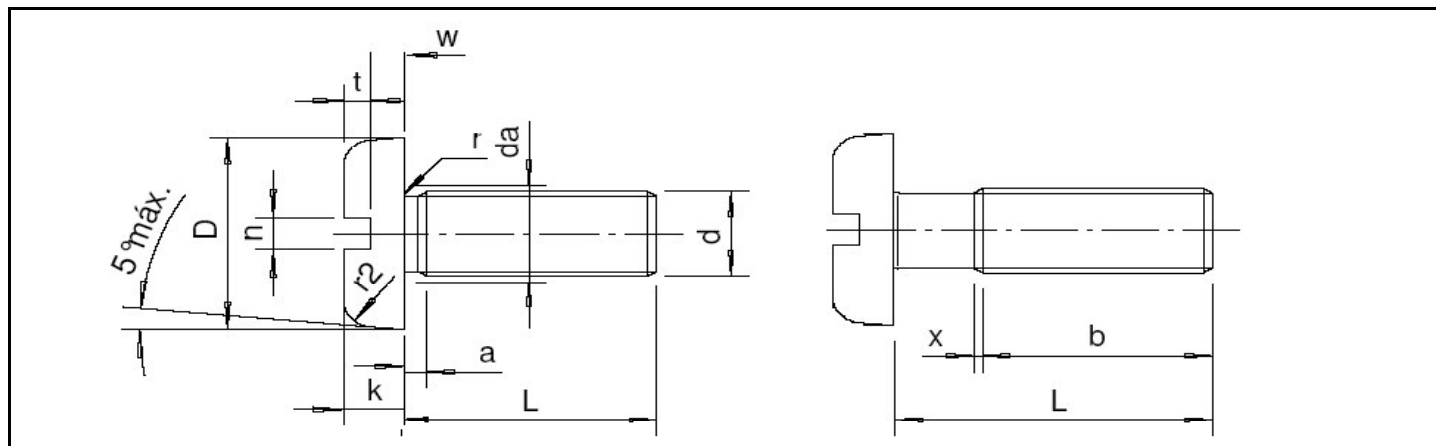


Paraf. Maquina Cabeça Redonda - Rosca WW



DIAM. NOMINAL		3/32"	1/8"	9/64"	5/32"	3/16"	1/4"	5/16"	3/8"
F.P.P		48	40	32	32	24	20	18	16
D	min.	3.90	5.80	6.50	7.70	9.00	12.00	15.10	18.20
	max.	4.20	6.20	6.80	8.10	9.40	12.50	15.60	18.80
K	min.	1.10	1.60	1.80	2.10	2.50	3.30	4.10	4.90
	max.	1.30	1.90	2.00	2.40	2.80	3.60	4.50	5.40
n	min.	0.60	0.90	1.00	1.10	1.30	1.60	1.80	2.00
	max.	0.80	1.10	1.20	1.30	1.50	1.90	2.10	2.30
t	min.	0.50	0.80	0.90	1.00	1.20	1.70	2.30	2.80
	max.	0.80	1.10	1.20	1.40	1.70	2.20	2.70	3.30
r	max.	0.30	0.50	0.50	0.60	0.70	0.90	1.00	1.20
r2	Ref.	0.90	1.10	1.20	1.30	1.60	2.20	2.80	3.30
b	min.	25	25	25	38	38	38	38	38
X	max.	1.00	1.10	1.25	1.50	1.75	2.00	2.50	3.20
L	min.	1/4"	1/4"	1/4"	1/4"	1/4"	5/16"	3/8"	
	max.	1.1/2"	2"	2"	2.1/2"	3"	3"	4"	
Comprimento		PESO APROXIMADO DE 1000 PEÇAS EM KILOS							
L (mm)									
1/4"									
5/16"									
3/8"									
1/2"									
5/8"									
3/4"									
7/8"									
1"									
1.1/4"									
1.1/2"									
1.3/4"									
2"									
2.1/4"									
2.1/2"									
3"									